



Thrii

Soap, Rinse, Dry

Dimensions	Water Use	Certifications	Technical	Barrier Free
Solid Surface Fascia: 17 ³ / ₄ " x 31 ¹ / ₄ " x 10 ¹ / ₄ " Stainless Fascia: 17 ³ / ₄ " x 34 ¹ / ₄ " x 10 ¹ / ₄ "	0.5 gpm	IGC 127-2014 CSA B45.5-17/IAPMO Z124-2017 Cal Green-2015 LEED, v4 National Green Building Standard 2015 Natural Resources Canada R-2000 Standard - 2012	Drain: 1 1/4" Supplies: 1/2" cold Electrical Supply: 12A, 120V, 60 hz 2.6 to 3.1 kw Max. Pressure: 145 psi	Solid Surface Fascia: ADA TAS Code Construction Québec Stainless Fascia: Not Compliant

Model & Operation

The Thrii provides users with a three-in-one soap, water and drying service all from one ergonomically designed unit. When the user places their hands in to the bowl area of the unit, an infra-red sensor triggers the start of the unit's operation. This minimizes energy consumption when the unit is not in use. In its standard setting, the unit commences operation by dispensing soap, followed by water, and finally the drying operation. The drying operation will continue for a pre-set period of time, or cease if the user withdraws their hands before this time has elapsed. Different colored lights in the bowl area of the unit indicate the specific stage of operation.

The factory default setting for the Thrii is Soap > Water > Drying, as this is the most popular requirement and suits most general applications. It can, however, be configured to operate in a different sequence to suit more specialized requirements if required. The product can be reconfigured on site by the user and programming is very flexible.

Fascia

The fascia can be made from from solid surface. Solid surface is a composite material of acrylic polyester polymer resins and aluminum trihydrate fillers. The material is resistant to stains and burns and complies with ANSI Z124.3. Solid surface cleans easily with Scotchbrite®, household cleaners or fine grit sandpaper. Solid surface is available in 15 colors.

As an alternate the fascia is also available in brushed stainless steel.

Optional Anti-Microbial

The fascia of the solid surface Thrii units can be manufactured with an anti-microbial agent. The agent is present both on the surface and on the inside of the material and will not dissipate or scratch off. In contact with moisture, anti-microbial ions will be released and effectively kill bacteria.

Soap

There are 2 settings for soap delivery, LIQUID (default) or FOAM. A range of liquid soaps are available from Intersan. Standard liquid soaps can be used as well. comprehensive WDCA range of electronic controllers in conjunction with the piezo or sensor activation of the ALSA wash basin.

Water

Water is programmed to run for 10 seconds. There will be a delay between the water cycle and the dryer cycle of 3 seconds. Other cycles can be programmed in the field.

Drying

There are three dryer speed settings. The dryer time is factory set at 35 seconds. Shorter cycles can be programmed in the field.

Application



The Thrii is intended exclusively for hand washing. It is not designed to dispense water for drinking or use in the preparation of food and beverages.

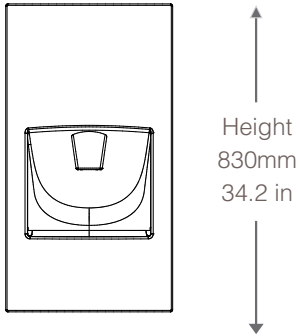


WARNING: Cancer and Reproductive Harm
www.P65Warnings.ca.gov

Dimensions

Stainless Steel Thrii

Width 450mm 17.7 in

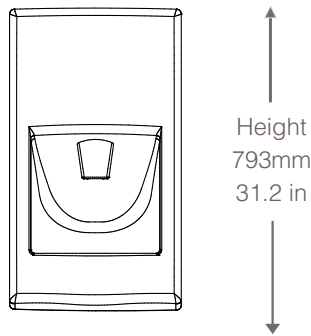


Overall Dimensions:

Width 450mm/17.7 in
Height 830mm/34.2 in

ADA Compliant Thrii

Width 450mm/17.7 in

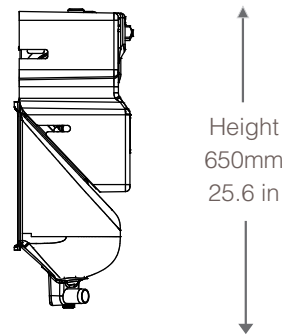


Overall Dimensions:

Width 450mm/17.7 in
Height 793mm/31.2 in

Bowl and Engine

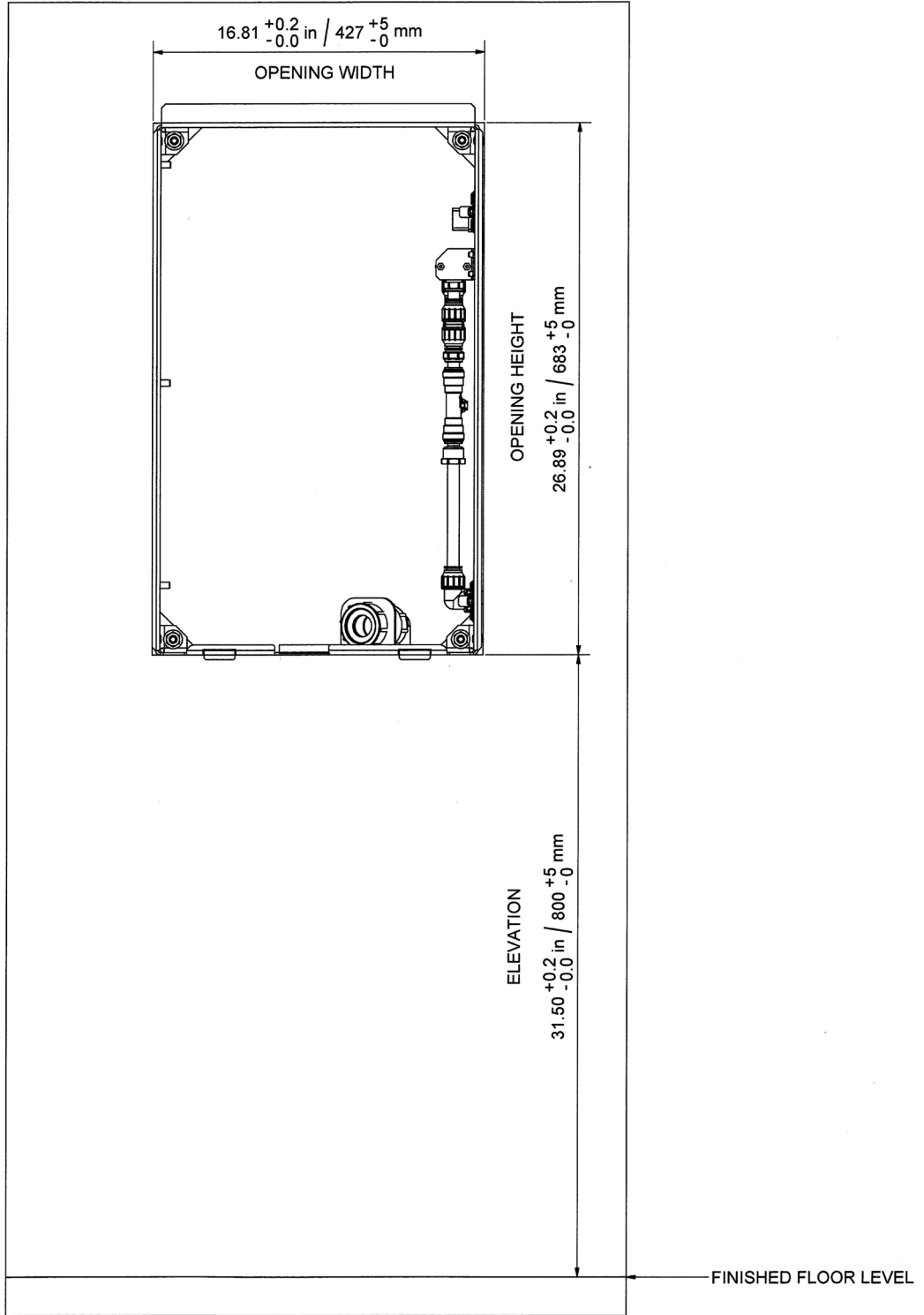
Depth 260mm/10.2 in



Overall Dimensions:

Width 350mm/13.8 in
Height 650mm/25.6 in
Depth 260mm/10.2 in

Rough-In Dimensions



001	Base Model Number (must specify)	
<input type="checkbox"/>	THRII	Handwash Dryer
002	Fascia (must specify)	
	Stainless Steel	
<input type="checkbox"/>	-SS	Stainless Steel
	Solid Surface	
	<u>Standard Colors</u>	
<input type="checkbox"/>	-AB	Adobe Brown
<input type="checkbox"/>	-AW	Ash White
<input type="checkbox"/>	-BF	Black Forrest
<input type="checkbox"/>	-CO	Concrete Grey
<input type="checkbox"/>	-ES	Egyptian Sand
<input type="checkbox"/>	-MB	Midnight Blue
<input type="checkbox"/>	-MG	Misty Grey
<input type="checkbox"/>	-PB	Pearl Black
<input type="checkbox"/>	-PW	Polar White
<input type="checkbox"/>	-SA	Sandstone
<input type="checkbox"/>	-TG	Twilight Grey
	<u>Designer Colors</u>	
<input type="checkbox"/>	-BB	Belgian Blue
<input type="checkbox"/>	-MQ	Montreal Quartz
<input type="checkbox"/>	-PS	Paris Stone
<input type="checkbox"/>	-SR	Sydney Rock Oyster
003	Anti-Microbial Solid Surface	
<input type="checkbox"/>	-AMSS	Anti-Microbial Agent in Countertop
004	Custom Settings	
<input type="checkbox"/>	-FS	Foam Soap
<input type="checkbox"/>	-Wxx	Water Running Time (xx = time in seconds)

Approved by:

Name: _____

Title: _____

Signature: _____

Date: _____

All information including dimensions, changes in design and material are subject to manufacturer's change without formal notice and without obligation. AquaDesign assumes no responsibility for use of superseded or voided information. Verify all rough-in information before installation. It is the responsibility of the installer to conform with local and national codes.