



Z6900-SD-WM

Zurn Sensor Operated Battery Powered
Liquid Soap Dispenser

TAG _____

Product Description

The sleek and simple design of this liquid soap dispenser can be mounted on any vertical surface or wall. It features a battery powered adjustable sensor that can dispense soap, gel, or hand sanitizer at a wide range of distances and volumes.

Engineering Specification

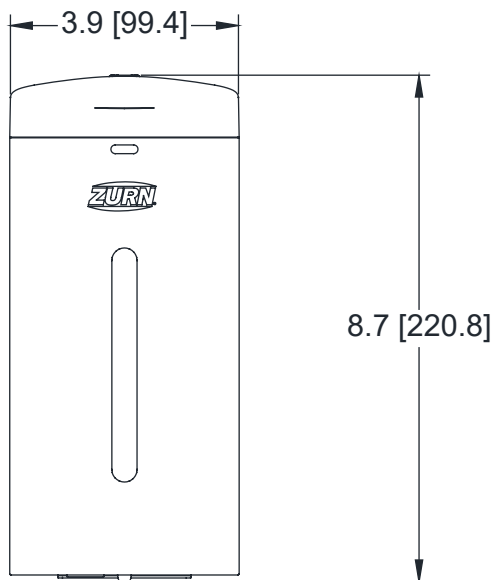
- Long life internal pump
- Liquid soap, gel, or hand sanitizer (sold separately)
- 100-3800 cps soap viscosity range
- Adjustable dispenser volume (0.8ml - 6.5ml per activation)
- 650ml refillable liquid reservoir
- Adjustable sensing distance (2"-6")
- Requires 6 AA batteries, included



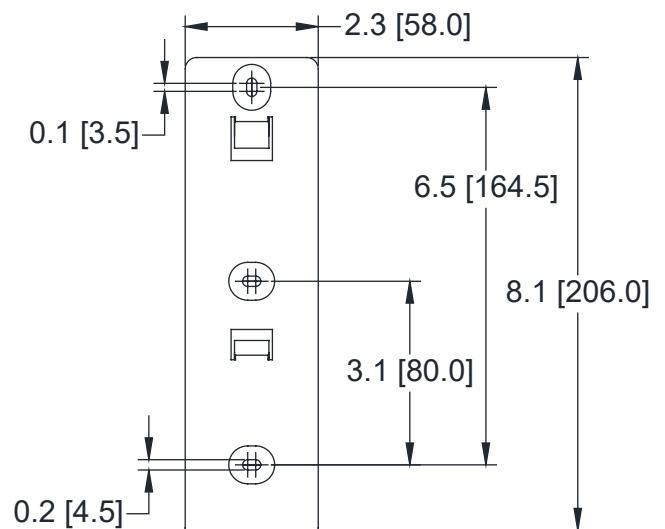
Architectural/Engineering Approval

The information contained in this document is subject to change without notice.
Please contact Zurn for most up to date information.

Rough-in dimensions/Overview dimensions



Soap dispenser



Mounting Plate