

Lavatories

LV.001

TAG

Z6955-XL-S-LL

ADA compliant, battery-powered, chrome-plated sensor faucet for retrofit and new construction. Customizable settings for time-out, line purge, sensor range, and metering mode. Infrared convergence-type proximity sensor, chrome-plated cast brass spout module, dual solenoid, in-line filter, 10-year long-life batteries, and inlet for a 1/2" [13 mm] ball riser. Lead-free.



Options:

- F 0.5 gpm [1.9 Lpm] VR Non-Aerated
 - L 1.0 gpm [3.8 Lpm] VR Aerator
 - M 0.35 gpm [1.3 Lpm] VR Non-Aerated
 - N 0.5 gpm [1.9 Lpm] VR Laminar Flow
- Power Supply Options - Battery is Standard**
- ACA 6 VDC Plug-In Power Converter
 - P6000-HW6 Hardwired Power Converter, up to 8 faucets
 - P6000-CWB Connector Wire for Hardwire Install
 - P6000-MJ Mini Junction Box, up to 8 faucets
 - GEN Hydroelectric Generator

Standard Supply Kits

With flexible 12" stainless steel supply hoses

- Z8808-XL-LRLK-8860-12-PC
- Z8808-XL-LR-8860-12-PC

With standard rigid supply tubes

- Z8808-XL-LRLK-PC
- Z8808-XL-LR-PC



- Z8743-PC** Solid Top, Open Grid, P.O. Plug
Chrome-plated cast brass solid top, open grid, P.O. plug, with 5" [127 mm] long, chrome-plated brass 17-gauge tailpiece and chrome-plated cast brass locknut for sink depth up to 2-1/4" [57 mm]. 6", 8", 12" tailpieces available.



- Z8746-PC** Offset Lavatory Strainer
Chrome-plated cast brass open grid drain strainer and chrome plated cast brass elbow, with 1-1/4" [32 mm] 17-gauge, chrome-plated tubular brass offset tailpiece for sink depth to 2-1/2" [57 mm]. ADA compliant.



- Z8700-D** Cast Brass Deep Escutcheon
Chrome-plated cast brass (copper alloy) body P-trap with cleanout, tubular brass wall bend as specified, die-cast nuts, and deep escutcheon with compression inlet.



- ZR361D-PC** Tubular P-Trap Less Cleanout

- Z8946-1-NT** Trap and Supply Stop Protectors
 - Z8946-3-NT** Trap, Supply Stop, and Offset Drain Protector
- Combination Kits: Satin white PVC resin. Antimicrobial, resists thermal transfer, and is ADA compliant. Trap protector fits both tubular and semi-cast P traps.



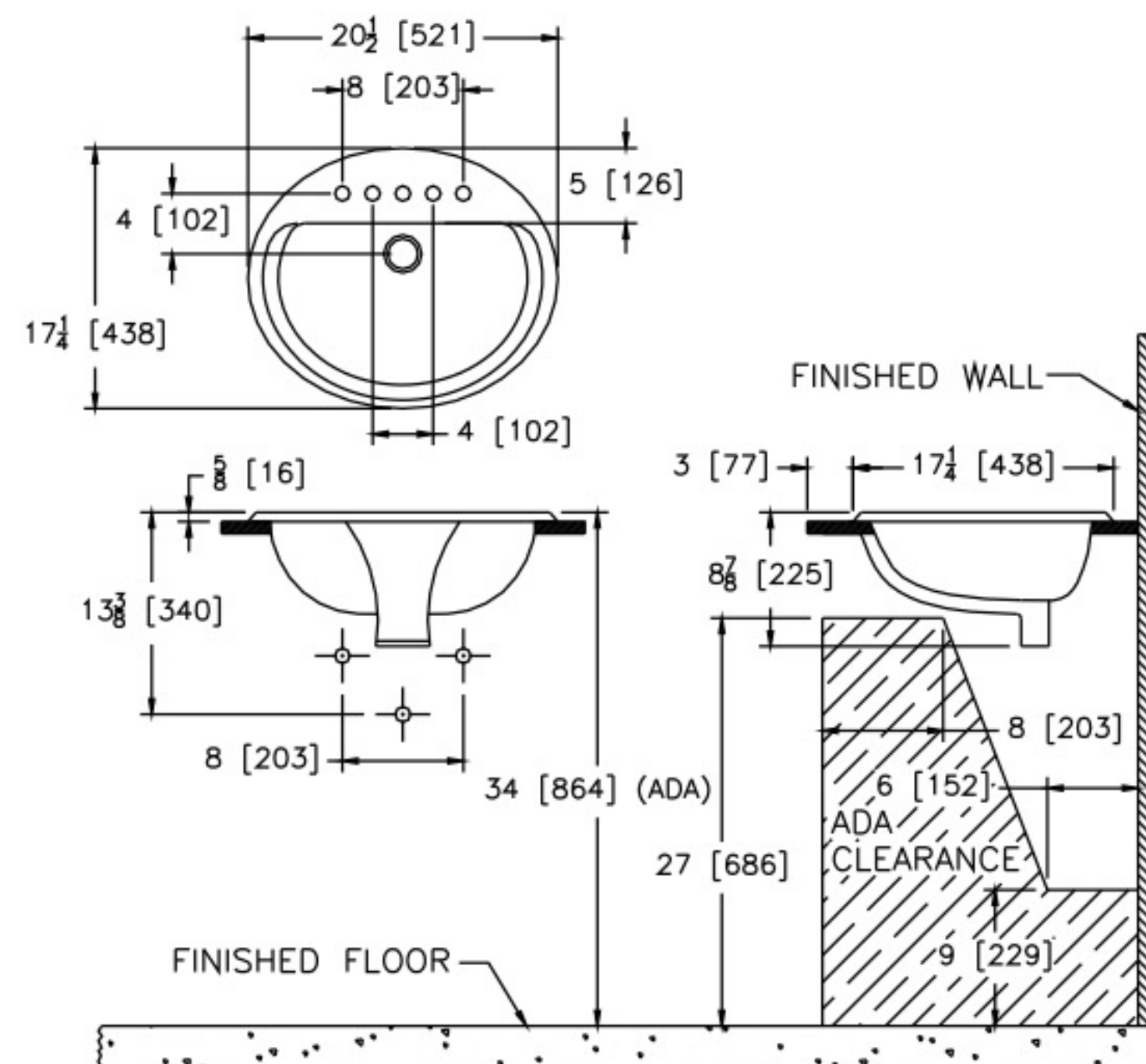
- P6900-MV-XL** Manual Temperature Mixing Valve with filter provides below deck water tempering, for use on sensor faucets. Lead-free.



Countertop Lavatory 20" x 17" with Electronic Plug-In, Hardwired, or Battery-Powered Sensor Faucet, 4" [102 mm] Center, Premixed Water Supply Optional Thermostatic Mixing Valve or Mechanical Mixer

Z5114

20" [508 mm] x 17" [432 mm] vitreous china, self-rimming, countertop lavatory with 4" center faucet holes.



These dimensions and specifications are subject to change without notice. Fixture dimensions meet ANSI/ASME standard A112.19.2 and CAN/CSA B45 requirements.

Meets the American Disabilities Guidelines and ANSI A117.1 requirements when lavatory is installed 34" [864 mm] from finished floor.

